

Features

Frequency range : 32.768 kHz
 SMD seam sealing ceramic package
 Supply voltage : 1.8V ~ 3.3V
 CMOS output
 Tri-state function available
 External dimensions (mm)
 L : 5.0 x W : 3.2 x H : 1.2
 RoHS compliant & Pb free

Applications

Real-time clock (RTC)
 PC, NB, Tablet, STB
 Audio, Video, Gaming
 Server, Switch, Router
 Security devices
 Consumer products

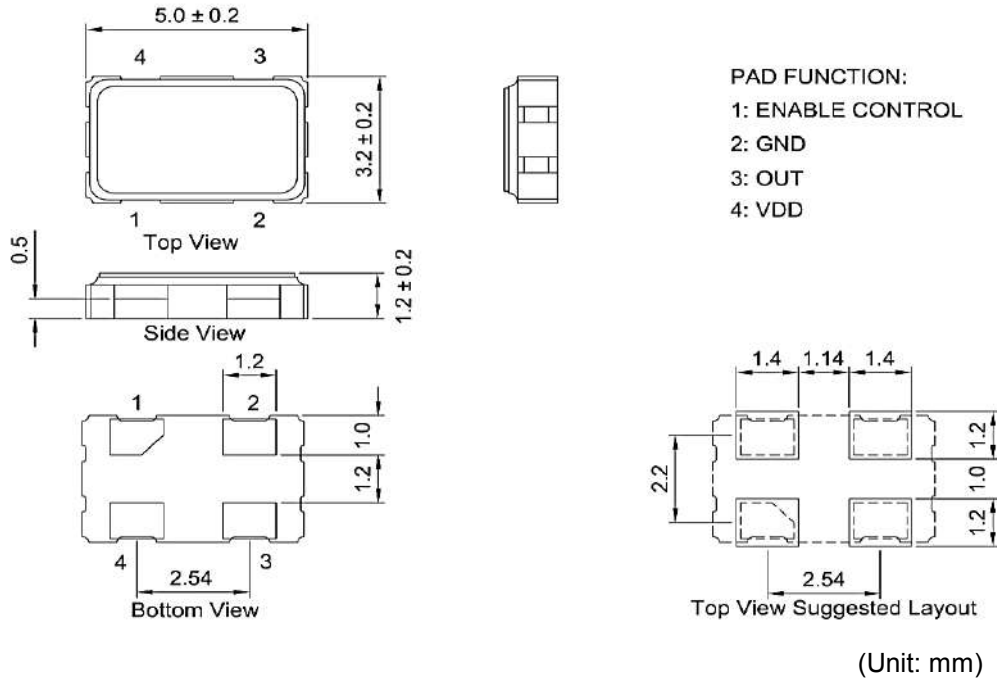
Electrical Characteristics

Item	7CZ	Conditions
Frequency Range (F_0)	32.768 kHz	
Frequency Stability (F_{stab})	± 25 ppm	-10°C ~ +70°C
	± 50 ppm, ± 25 ppm	-40°C ~ +85°C
Operating Temperature Range (T_{OTR})	-10°C ~ +70°C	
	-40°C ~ +85°C	
Supply Voltage (V_{DD})	1.8V, 2.5V, 3.3V	$V_{DD} \pm 10\%$
Current Consumption (I_{DD})	3 mA Max.	
Output Type	CMOS	
Output Load (C_L)	15 pF	
Output Voltage High (V_{OH})	90% V_{DD} Min.	
Output Voltage Low (V_{OL})	10% V_{DD} Max.	
Rise & Fall Time (T_r / T_f)	200 ns Max.	10% ~ 90% of V_{DD}
Duty Cycle	45% ~ 55%	
Start-up Time	10 ms Max.	
Enable Voltage High, Logic "1"	70% V_{DD} Min.	Input to Pin1 Note [1]
Enable Voltage Low, Logic "0"	30% V_{DD} Max.	
Aging (F_{aging})	± 5 ppm Max.	at 25°C ± 3 °C, first year
Storage Temperature Range (T_{STR})	-55°C ~ +125°C	

Notes:

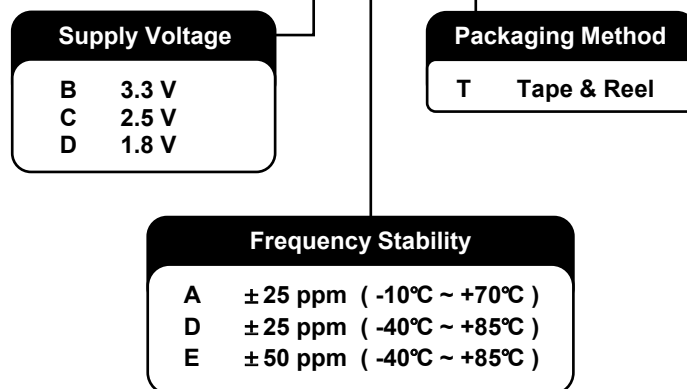
[1] Output will be enable if Pin1 is Logic "1" or Open; Output will be disable if Pin1 is Logic "0".

Dimensions

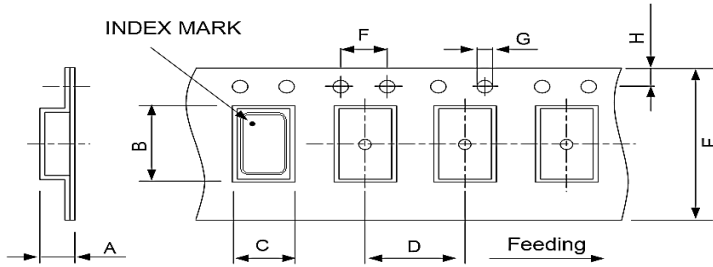


Ordering Information

7CZ - 32.768K - B E - T

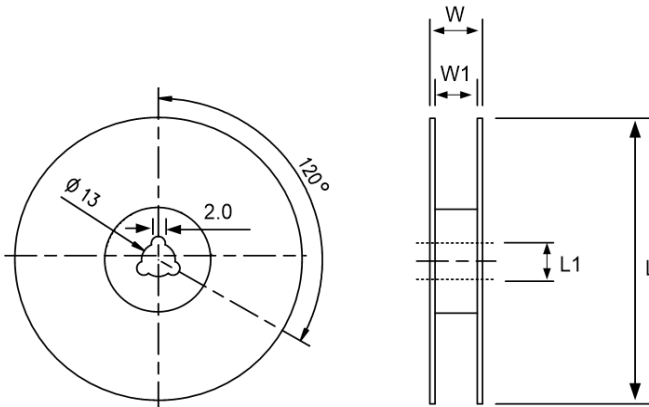


Packing



DIMENSIONS	A	B	C	D	E	F	G	H
	1.70	5.4	3.6	8	12	4	1.55	1.75

(Unit: mm)



DIMENSIONS	L	L1	W	W1
	180	13	16.5	12

(Unit: mm)

Reflow Profile

Solder melting point : 220°C ± 10°C, 60 sec. Min.

Peak temperature : 260°C ± 10°C, 10 sec. Min.

